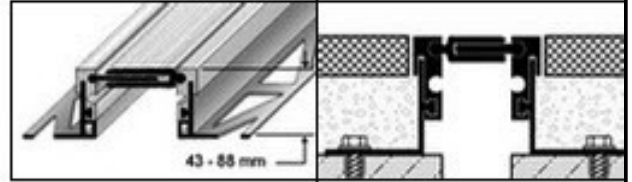


Movement and expansion joints for floors Serie SE



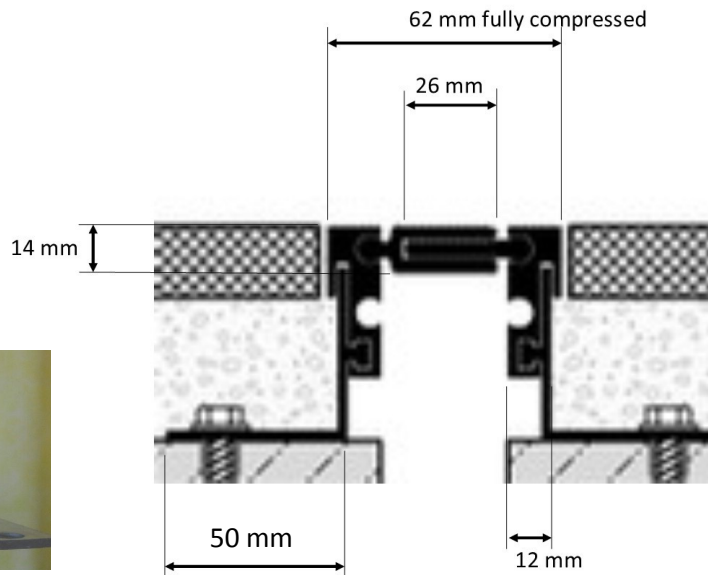
Application:
Particularly robust expansion profile made entirely of aluminium for areas of heavy loading, available in various heights.

Material:
Aluminium

Visible width:
70 mm

Height:
43 / 48 / 58 / 63 / 68 / 88 mm

Length:
400 cm



STONE CONCEPT HOLDINGS P/L

3/179-183 Woodpark Road,
Smithfield, NSW, 2164
Tel. +61 (02) 9757 3880
Fax +61 (02) 9818 5073

products@stoneconcept.com.au
www.stoneconcept.com.au